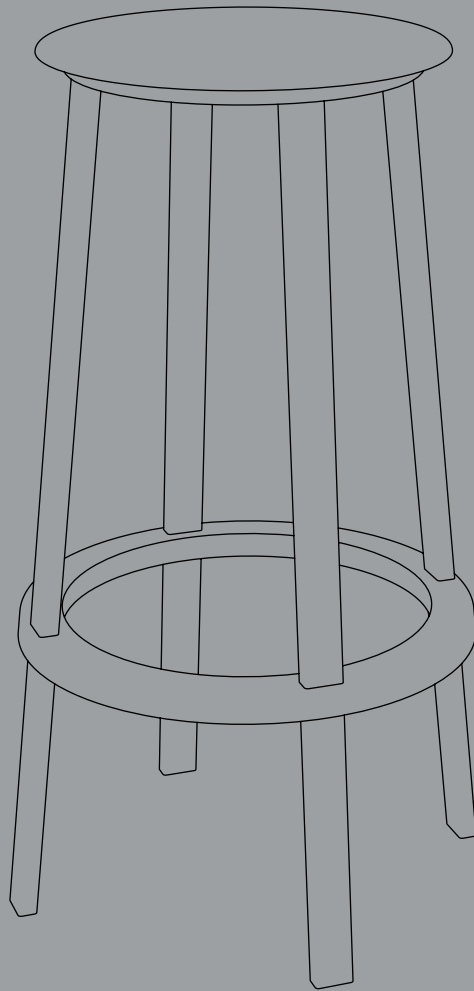


INSTRUCTION MANUAL

REVOLVER BAR STOOL



By Leon Ransmeier

HAY

INTRODUCTION

HAY's Revolver Bar Stool is positioned on a bearing mechanism that enables the seat and foot ring to rotate 360 degrees. The slim, slightly dished seat features curved edges for additional comfort, while the footrest provides support and the weighty base creates total stability. The rotating feature, while altering appearance, also lends a sense of the play to this functional design. Available in two heights and a choice of coatings, its versatile presence makes it suitable for a wide range of public and residential environments.

CARE AND MAINTENANCE

CAUTION

With a little care you can prolong the life of your furniture. Follow the instructions for the materials of your specific product to make sure that it stays in the best shape for as long as possible.

The information below is only intended as a general guideline. For more information on how to remove specific stains, please enquire where you bought the furniture.

- Always remove stains quickly before they can do any permanent damage to the furniture.

- When you move your furniture, make sure you lift it rather than pulling or pushing it to avoid damaging the floor.

- Be careful not to scratch or damage the surface with sharp objects.

- In order to ensure optimal stability and longevity of the stool, please check the bolts are correctly tightened on a regular basis.

- Avoid improper use such as standing on the footrest.

POWDER COATED STEEL

- Wipe with a clean cloth wrung in water or in a solution of water and a neutral detergent. Remove soap residue immediately using a clean, dry cloth.

- Avoid using scouring cream or scouring pads, as they may scratch the surface.

- Do not use solvents as they may have an adverse effect on the coating.

- Never use acetic acid or citric acid.

PLEASE NOTE

- In order to guarantee stability and longevity of the article, periodically check the bolts are correctly tightened.

- The product is not suitable for outdoor use.

- Avoid contact with heat sources.

- For major maintenance or repairs, consult the retailer.

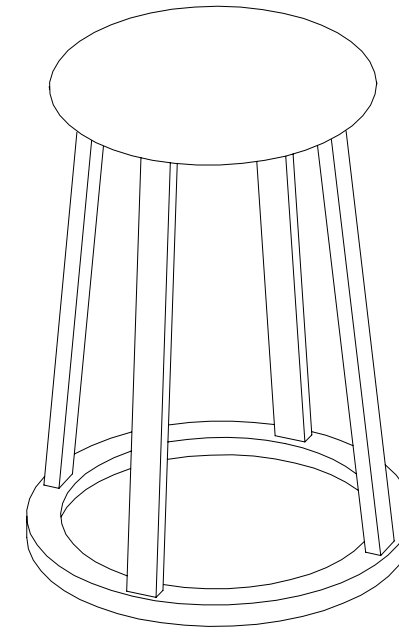
- Please do not stand on the foot rail.

- Once the product or its components are no longer used, make sure that they are disposed of correctly through the public waste disposal services.

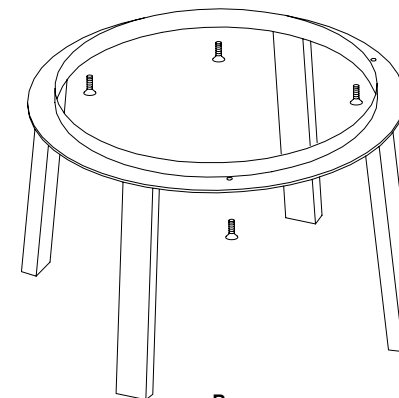
CLEANING GUIDELINES

The stool frame should first be dry dusted with a clean lint free cotton cloth. If wet cleaning is required then the item should be cleaned using a soft, slightly damp sponge with a mild detergent and water solution.

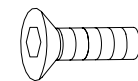
PARTS REVOLVER BAR STOOL



A



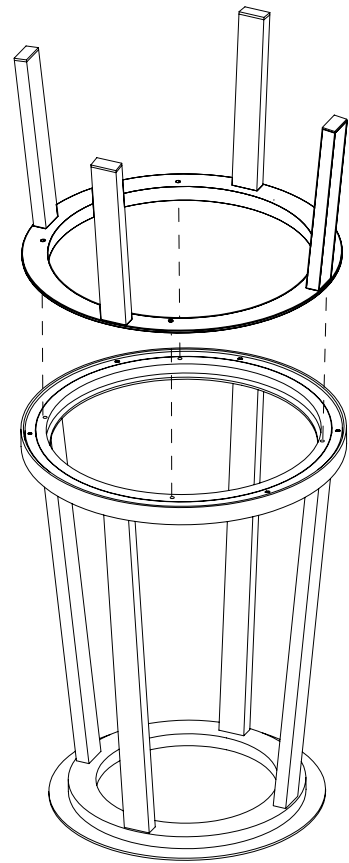
B



C

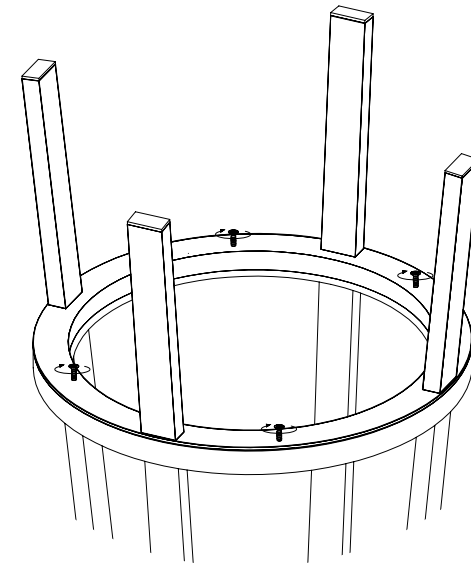
1.

Place section **A** upside down on a protected surface. Now place section **B** upside down on top of section **A**, making sure the 6 holes on section B are aligned with the exposed bearing.



2.

Fix the two parts together using the bolts provided, making sure that you partially tighten the bolts in turn until all of them have been fully tightened.





Havnen 1 8700 Horsens Denmark
+45 4282 0282 / hay@hay.com

HAY